

MegaView® 2 Megapixel IP Cameras

1080p–10MP H.264 All-in-One Motorized P-Iris Lens Day/Night IR Indoor/Outdoor Bullet-Style IP Cameras with Optional Wide Dynamic Range (WDR)



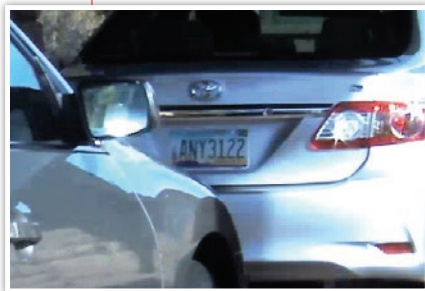
Telephoto Lens

Wide Angle Lens

Junction Box Included



Wide Field of View



Telephoto Field of View

All-in-One Solutions – MegaView® 2

MegaView® 2 multi-megapixel cameras provide ample resolution to zoom-in for details in live or recorded video. These indoor/outdoor all-in-one solutions integrate a 1080p, 3-, 5-, or 10-megapixel camera with fast frame rates and an IR corrected motorized wide angle or telephoto P-iris lens into an IP66 environmental rated tamper-resistant bullet-style housing. H.264 compression reduces bandwidth and storage requirements while delivering full frame rates and full resolution without sacrificing image quality.

Highlighted Features:

- Remote Focus/Zoom Motorized P-Iris Lens
- P-Iris Control to Get Best Depth of Field and Image Clarity
- Wide Angle or Telephoto Lens Options
- Optional True WDR up to 100dB at Full Resolution Available on Some 1080p and 3MP Models: See Clearly in Shaded and Bright Light Conditions Simultaneously
- Optional Audio
- Casino Mode™ Maintains Continuous 30fps Frame Rate Required by Gaming Industry Regulations (AV2225 Models)
- Binning Mode for Strong Low Light Performance on 3MP, 5MP and 10MP Models
- True Day/Night Functionality with Mechanical IR Cut Filter and IR LEDs
- Outdoor Rated IP66 and Tamper-Resistant Housing
- Total PoE Solution (No External Power Required for IR LEDs)
- PoE and Auxiliary Power: 12–48V DC/24V AC
- Easily Adjustable 3-Axis Wall Mount
- Junction Box Included
- Dual Encoder H.264/MJPEG
- Privacy Mask, Motion Detection, Flexible Cropping, Bit Rate Control, Multi-Streaming and Forensic Zooming
- Fast Frame Rates
- PSIA Conformant



Integrated Motorized Lens with Remote Focus and Zoom



P-Iris Control for Best Depth of Field and Image Clarity



Wide Angle or Telephoto Lens Option



All-in-One Bullet-Style Solution



True Day/Night with IR Cut Filter



Weather Resistant IP66 Rated



Audio Input/Output (-A Models)



Dual Mode: 1080p/10MP on 10MP Models



Pixel Binning Mode on 3, 5, and 10MP Models



IR LEDs



Wide Dynamic Range Available on AV2226 AV3226 Models



Casino Mode™ Maintains at Least 30fps on AV2225 Models

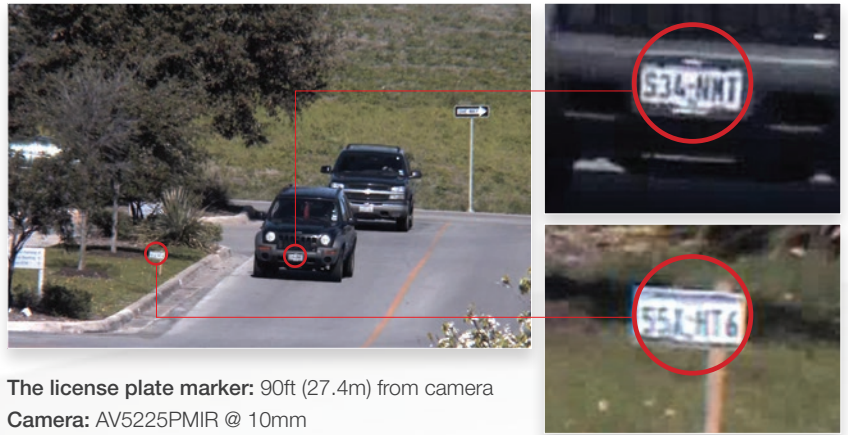


Dual Encoder H.264/MJPEG

Increased Resolution for Forensic Zooming

Arecont Vision MegaView® 2 cameras allow you to choose the level of resolution you need. In applications where extreme detail is required, such as license plate or face recognition, a higher resolution camera can be selected to ensure sufficient pixel density is delivered.

Because megapixel images have a greater number of pixels than VGA images, MegaView® 2 cameras allow users to view up-close details in live or recorded video at any time without compromising overall surveillance—an added benefit not possible with conventional PTZ cameras.



The license plate marker: 90ft (27.4m) from camera
 Camera: AV5225PMIR @ 10mm
 Pixel density archived: 50PPF (164PPM)

Remote Focus/Zoom and P-Iris

The MegaView® 2 series of all-in-one H.264 cameras combines megapixel resolution with remote focus, remote zoom, Day/Night and P-iris capabilities. The cameras can be installed without locally adjusting the field of view or focus.

All lens operations can be remotely controlled from the head end to refine the field of view and focus of the scene. Short or full range focus scan functions analyze the local or full scene to determine the best focus for the chosen field of view.



Telephoto P-Iris Lens Option

MegaView® 2 cameras are available with motorized telephoto lenses, further boosting their flexibility as all-in-one bullet-style solutions. Telephoto lenses offer a broad optical range for every sensor resolution in the MegaView® 2 family.

These telephoto lenses feature P-iris technology to achieve the best exposure possible for the lighting conditions and offer remote focus / remote zoom for easy installation and maintenance.

Optical Range Per Sensor	
1080p	8–22mm
1080p WDR	8–22mm
3MP	8–22mm
3MP WDR	8–22mm
5MP	9–22mm
10MP WDR	12–22mm



Megapixel image without WDR



Megapixel image with WDR

MegaDynamic® Wide Dynamic Range (WDR)

Users can achieve clear images in extreme lighting conditions with MegaView® 2 WDR cameras in resolutions of 1080p and 3MP. Wide Dynamic Range up to 100dB at full resolution balances light and dark areas in the same scene, such as in the lobby of an office building with large windows, the loading dock at a distribution facility or many retail environments. IR illuminators provide coverage in total darkness for a 24-hour solution.

MegaView® 2 Megapixel IP Cameras

Enhanced Low Light Performance: Capture Images Even in Total Darkness



Day Mode



Night Mode

As part of their superior Day/Night operation, MegaView® 2 cameras include low light enhancing technology such as binning and adaptive noise-cancellation. Their Day/Night capability automatically switches from color to black/white operation to increase sensitivity at night or in unlit spaces. This functionality along with integrated IR illumination provides a winning combination in complete darkness.

IR Illuminator Specifications

IR Illuminator Key Specs	
IR LEDs	48 pcs
IR Wavelength	850nm
IR Distance	25m
IR Angle	50°



Total PoE Solution

No external power is needed for the IR LED ring.



User-Friendly Web Interface

For easy installation, remote focus and remote zoom can be done through the camera webpage. Just click "short range focus" or "full range focus" to get a clear image. The added P-iris functionality provides better depth of field in varying lighting conditions.

Additional Benefits Include:

- Fine tuning for a better image after installation
- Quicker installation for lower total cost of ownership (TCO)
- Ability to choose wide or telephoto field of view depending on application requirements
- P-iris is designed to provide the maximum depth of field in any lighting condition to ensure the best possible image quality



Junction Box Included

MegaView® 2 ships with its own junction box, simplifying both installation and the ordering process.

H.264 Decompression (example)



2MP with live video in MJPEG

2MP with live video in H.264

Compliant H.264 Compression

MegaView® 2's compliant implementation of H.264 allows full frame rates and full resolution without sacrificing image quality. With bit rate control, the CPU load is decreased at both the client (decompression) side and the server/storage side, allowing lower bandwidth and storage relative to MJPEG. Real Time Streaming Protocol (RTSP) allows for compatibility with media players such as Apple QuickTime®, VLC and others.



Product Comparison

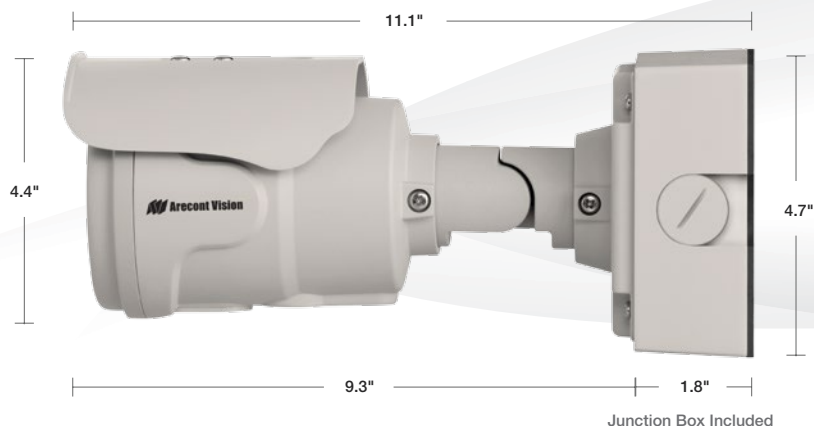
Model	Resolution		Minimum Illumination	Lens	Max Frame Rate @ Full Resolution	Day/Night	WDR	Binning Mode	Remote Focus/Zoom	IR LEDs	Audio Option	P-Iris Lens	Telephoto Lens Option
AV2225	1080p	1920 x 1080	Color: 0.1 Lux B/W: 0 Lux, IR Sensitive	3-9mm, 1/2.7", F1.2, RZ, RF, P-Iris, H-FOV = 115°-37° 8-22mm, 1/2.7", F1.6, RZ, RF, P-Iris, Telephoto, H-FOV = 42°-16°	31fps	•			•	•	•	•	•
AV2226	1080p	1920 x 1080	Color: 0.3 Lux B/W: 0 Lux, IR Sensitive	3-9mm, 1/2.7", F1.2, RZ, RF, P-Iris, H-FOV = 82°-27° 8-22mm, 1/2.7", F1.6, RZ, RF, P-Iris, Telephoto, H-FOV = 30°-12°	30fps	•	•		•	•	•	•	•
AV3225	3MP	2048 x 1536	Color (Non-Binning): 0.3 Lux Color (Binning): 0.15 Lux B/W: 0 Lux, IR Sensitive	3.6-9mm, 1/2.5", F1.3, RZ, RF, P-Iris, H-FOV = 76°-28° 8-22mm, 1/2.7", F1.6, RZ, RF, P-Iris, Telephoto, H-FOV = 28°-12°	21fps	•		•	•	•	•	•	•
AV3226	3MP	2048 x 1536	Color (Non-Binning): 0.3 Lux Color (Binning): 0.15 Lux B/W: 0 Lux, IR Sensitive	3-9mm, 1/2.7", F1.2, RZ, RF, P-Iris, H-FOV = 87°-29° 8-22mm, 1/2.7", F1.6, RZ, RF, P-Iris, Telephoto, H-FOV = 32°-12°	21fps	•	•	•	•	•	•	•	•
AV5225	5MP	2592 x 1944	Color (Non-Binning): 0.3 Lux Color (Binning): 0.15 Lux B/W: 0 Lux, IR Sensitive	3.6-9mm, 1/2.5", F1.3, RZ, RF, P-Iris, H-FOV = 96°-36° 9-22mm, 1/2.5", F2.0, RZ, RF, P-Iris, Telephoto, H-FOV = 38°-16°	14fps	•		•	•	•	•	•	•
AV10225	10MP	3648 x 2752	Color (Non-Binning): 0.42 Lux Color (Binning): 0.21 Lux B/W: 0 Lux, IR Sensitive	4.7-9mm, 1/2.3", F1.5, RZ, RF, P-Iris, H-FOV = 78.8°-37° 12-22mm, 1/2.3", F2.2, RZ, RF, P-Iris, Telephoto, H-FOV = 30°-17°	7fps	•		•	•	•	•	•	•

Options

PMIR	Wide Angle Lens w/ Remote Focus/Zoom, P-Iris, Day/Night, IR LEDs
PMTIR	Telephoto Lens w/ Remote Focus/Zoom, P-Iris, Day/Night, IR LEDs
-A	Audio

(Example: AV5225PMTIR-A)

Configurations



Junction Box Included

Accessories

SV-EBA
Electrical Box Adapter



MD-PMA
Pole Mount Adapter



MD-CRMA
Corner Mount Adapter



Global Sales and Support

Arecont Vision is the leading manufacturer of high-performance megapixel IP cameras and associated software. All Arecont Vision cameras are made in the USA.

North America

Los Angeles, USA
Arecont Vision, LLC, Headquarters
425 E. Colorado St., 7th Floor
Glendale, CA 91205, USA

Phone: +1.818.937.0700
Toll Free: 877.CAMERA.8

Sales
Phone: +1.818.937.0700 x 3
Email: avsales@arecontvision.com

Support
Phone: +1.818.937.0700 x 1
Email: support@arecontvision.com

South America

Latin America
Email: latam.sales@arecontvision.com

EMEA

Frankfurt, Germany
Arecont Vision Europe GmbH
Lyoner Straße 38, 5th Floor
60528 Frankfurt, Germany

Phone: +49.69.6953.4600
Email: europe.sales@arecontvision.com

Moscow, Russia
CJSC Arecont Vision
121351, Russian Federation, Moscow, 58/1, Molodogvardeiskaya str.

Phone: +7.495.649.0577
Fax: +7.495.221.5227
Email: info@arecontvision.ru

Middle East

Email: mena.sales@arecontvision.com

Africa

Email: africa.sales@arecontvision.com

APAC

Shanghai, China
Resident Representative Office of Arecont Vision, LLC
in Shanghai
Taolin Road No. 18, Building A
World Plaza, Room #1603
Pudong New District, Shanghai, 200135
P.R.China

Phone: +86.21.6176.2596
Alt. Phone: +86.21.6176.2597
Fax: +86.21.6085.2520
Email: apac.sales@arecontvision.com

